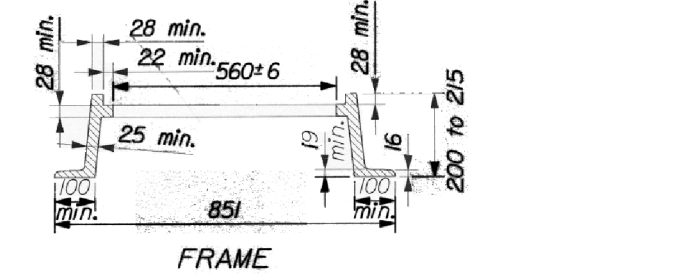
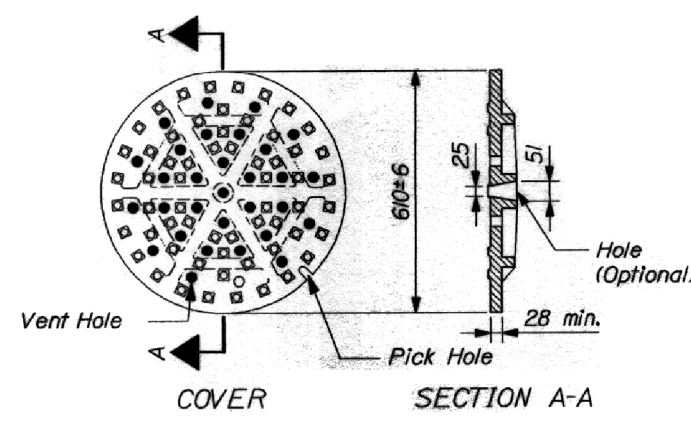


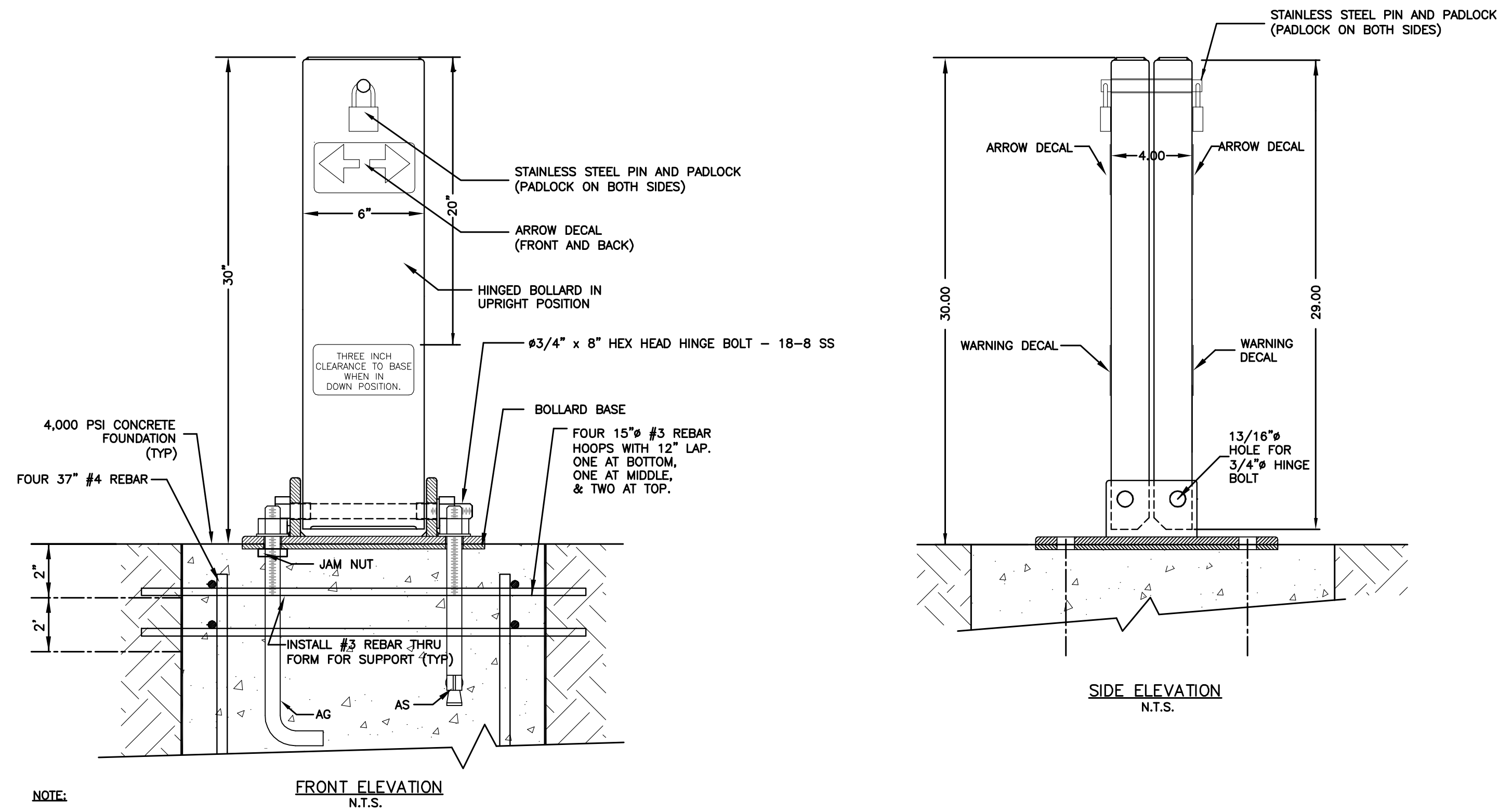
Dimensions are intended to be nominal.

MANHOLE DETAIL
N.T.S.



Notes:
1. Manhole frames and covers are to be machined to a smooth fit and shall be of gray cast iron.
2. Diamond top surface is optional.

MANHOLE TOP 'D'
N.T.S.



NOTE:

DOUBLE HINGED COLLAPSIBLE BOLLARDS AS MANUFACTURED BY:

TRAFFIC GUARD LLC
P.O. BOX 201
GENEVA, IL. 60134
PHONE: 877-727-7347
FAX: 630-365-1947
WEBSITE: www.trafficguard.net

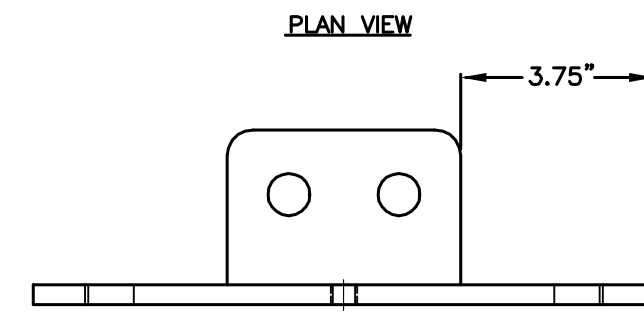
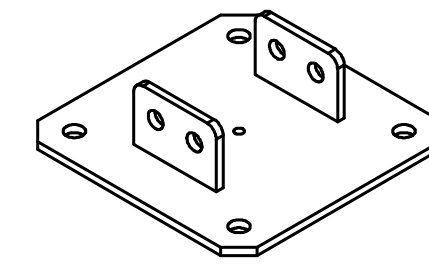
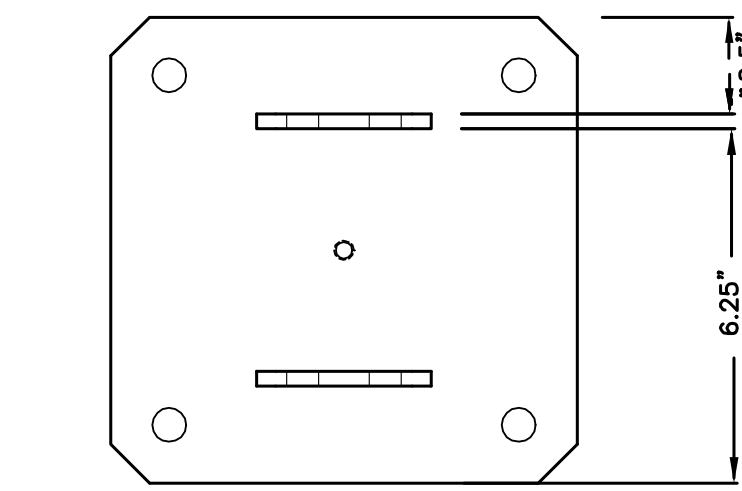
MODEL #DHB

CHOICE OF ANCHORAGE SYSTEMS:

"AS" - 3/4" x 10" EXPANSION ANCHOR
ASTM SS316 HILTI KWIK BOLT II CATALOG #00045490 WITH HEX HEAD NUT AND TYPE "A" FLAT WASHER. INSTALL PER SPECIFICATION AND AS NOTED.

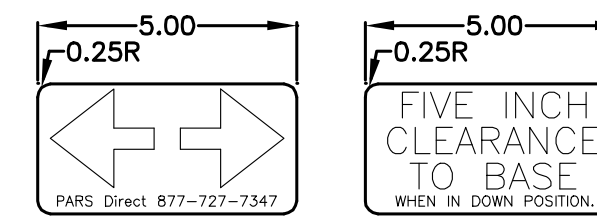
"AG" - 3/4" x 12" ASTM A36 L-HOOK ANCHOR BOLT WITH HEX HEAD NUT AND TYPE "A" FLAT WASHER. ALL H. D. GALVANIZED. INSTALL PER SPECIFICATION AND AS NOTED.

OR APPROVED EQUAL

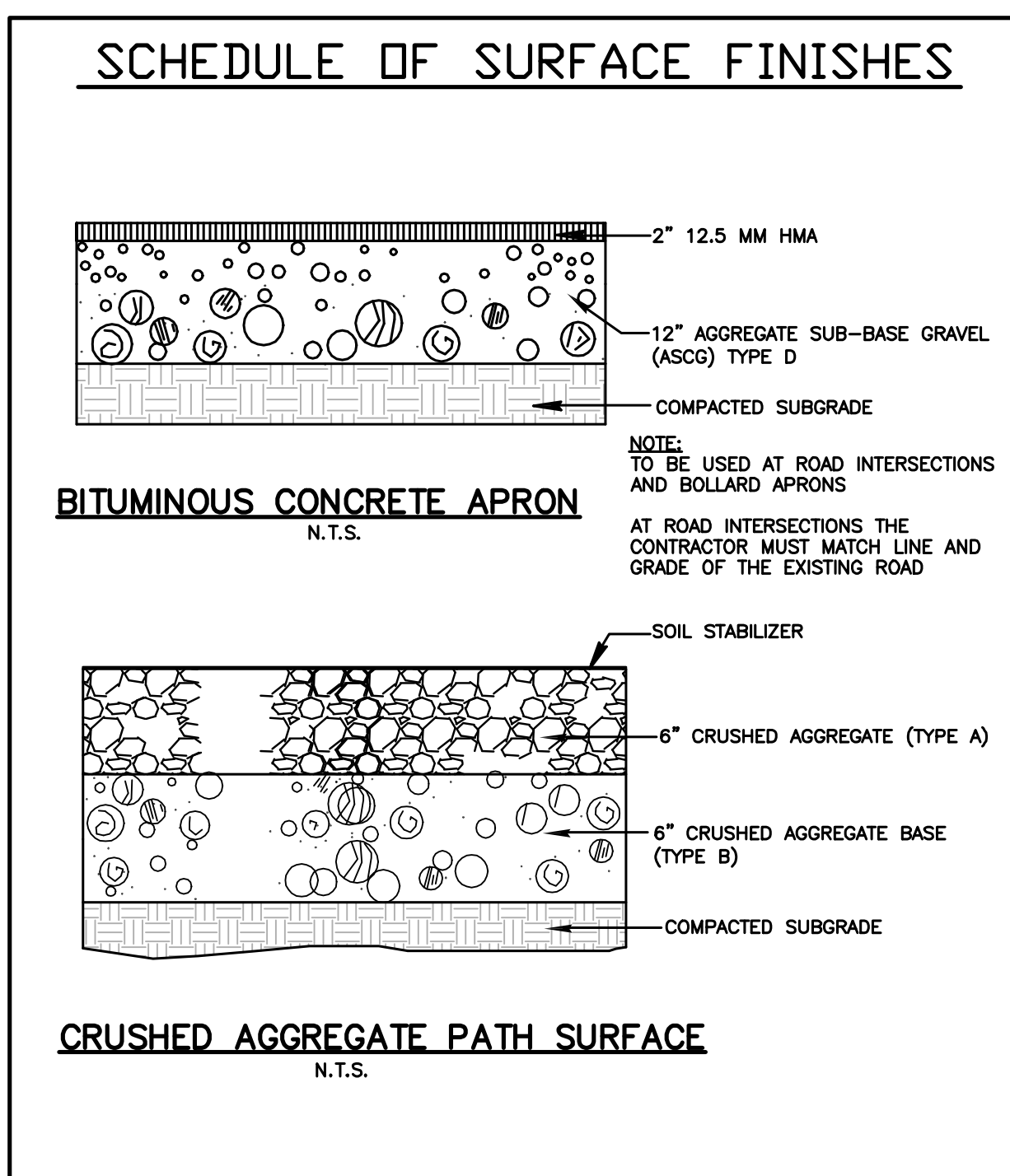


BASE
N.T.S.

DOUBLE HINGED COLLAPSIBLE BOLLARD DETAIL
N.T.S.



ARROW AND WARNING DECALS
N.T.S.

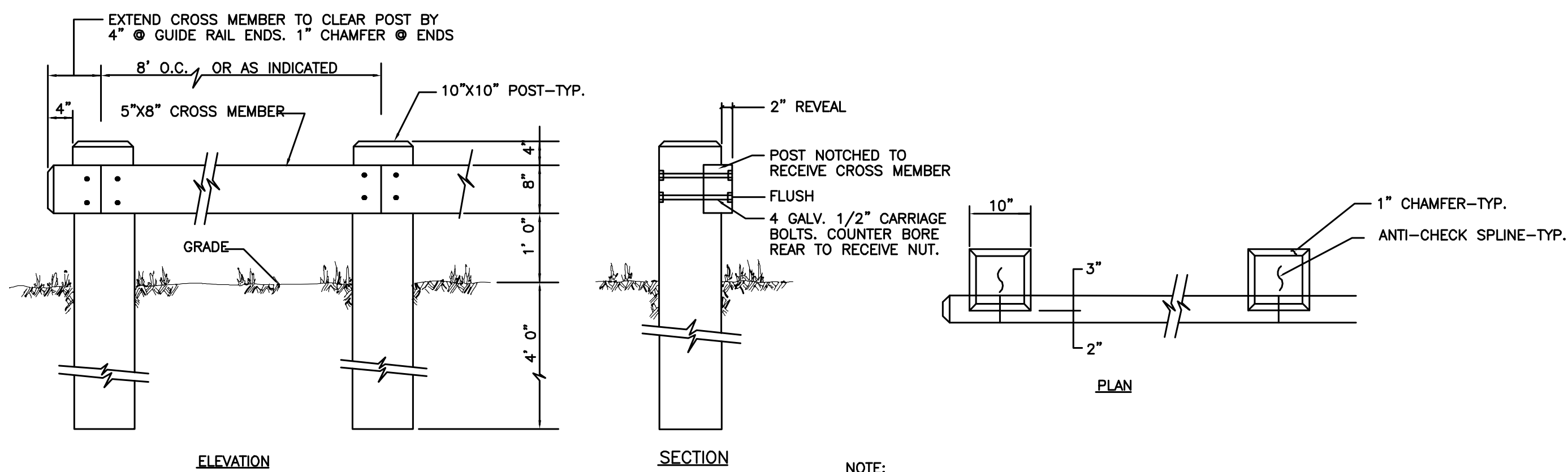


REVISIONS

SITE DETAILS
EASTERN TRAIL MANAGEMENT DISTRICT
PHASE II
SCARBOROUGH AND OLD ORCHARD BEACH, MAINE

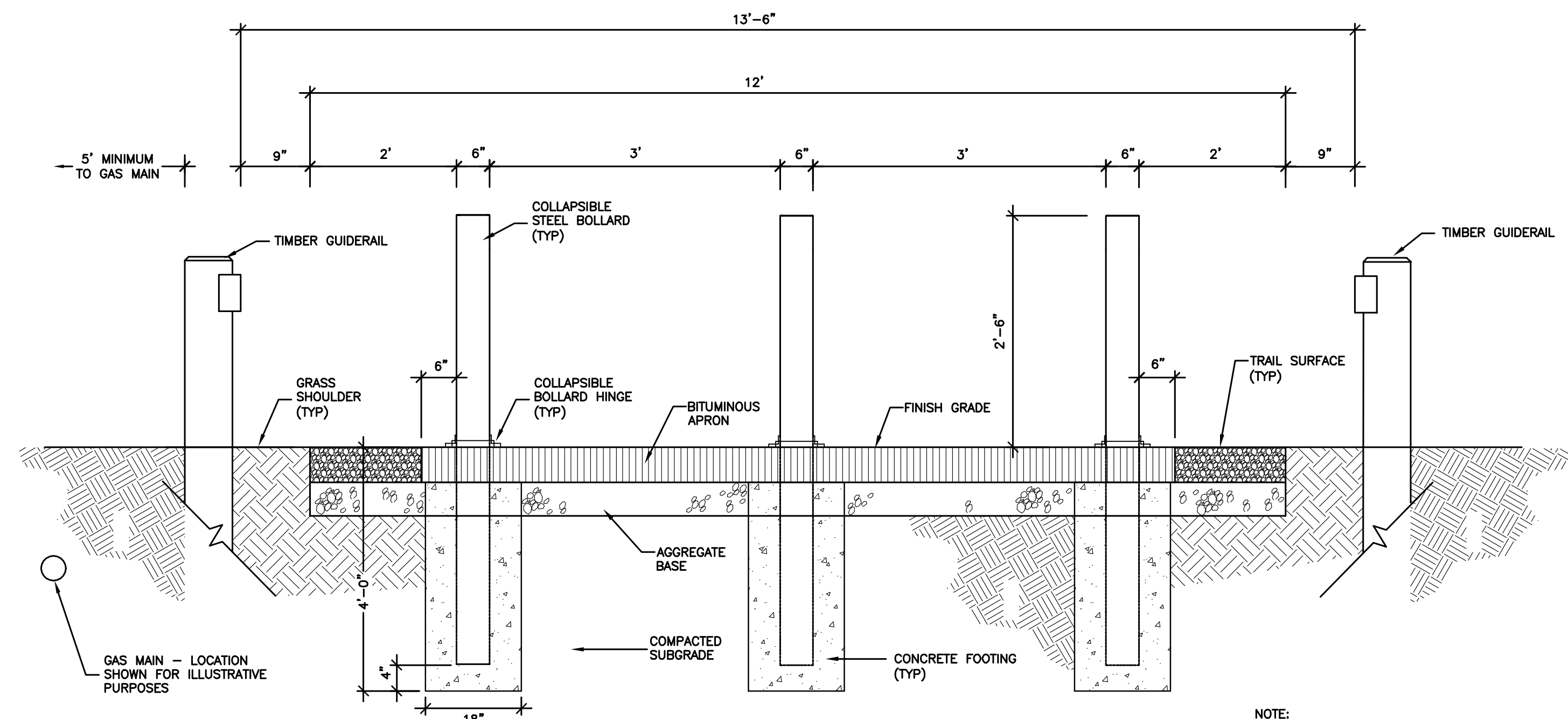
| | | |
|-----------------------|-----|---------|
| DESIGNED | MTD | DRB |
| DRAWN | | CHECKED |
| SCALE AS SHOWN | | |
| DATE OCTOBER 26, 2007 | | |
| PROJECT NO. 2728-01 | | |

SD-2



TIMBER GUIDE RAIL
N.T.S.

NOTE:
ALL WOOD IS TO BE PRESSURE TREATED ACQ TIMBERS
ALL POSTS TO BE A MINIMUM OF 5' FROM EXISTING GAS MAIN.



COLLAPSIBLE BOLLARDS
N.T.S.

NOTE:
ALL BOLLARDS TO BE A MINIMUM OF 5' FROM EXISTING GAS MAIN.